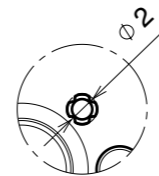
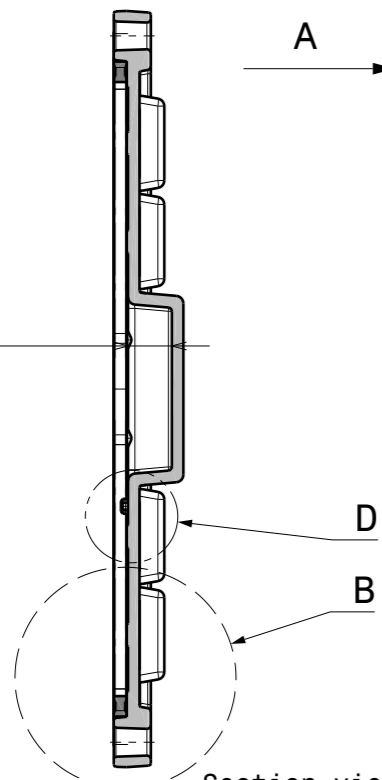


Beam direction



Detail C  
Scale: 2:1

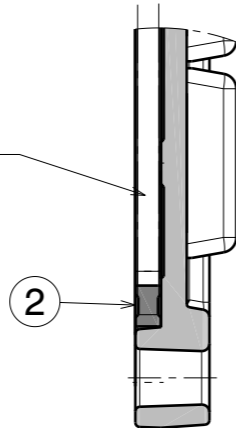
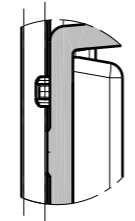
Typical space for component  
5.8



Section view A-A  
Scale: 1:1

PCB space inside seal 81x 81mm

Detail D  
Scale: 2:1



Detail B  
Scale: 2:1

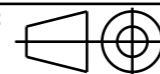
INDEX	PART NO	DESCRIPTION	MATERIAL	COLOUR
1	C16033	STRADELLA-28-T2	PMMA	clear
2	C15900	STRADELLA-28-SEAL	Silicone	

Tolerances if not otherwise shown  
According to DIN ISO 2768-1  
Linear measures:  
Up to 30mm class M, otherwise class C.  
According to DIN ISO 2768-2  
Form and position: class L



LediL Oy  
Salorankatu 10  
FIN 24240 SALO  
Finland

THIRD ANGLE PROJECTION:



DRAWING TITLE  
**CS16034\_STRADELLA-28-T2**

This drawing is the property of LEDiL Oy. It may not be reproduced, copied or communicated without a written agreement with LEDiL Oy.

SIZE	PART NUMBER		
<b>A3</b>	<b>Datasheet</b>		
SCALE	1:1	WEIGHT	SHEET 1/1